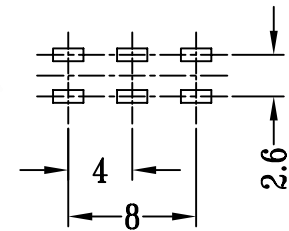
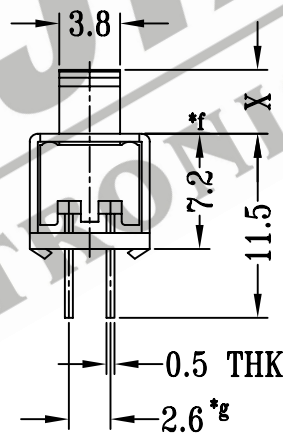
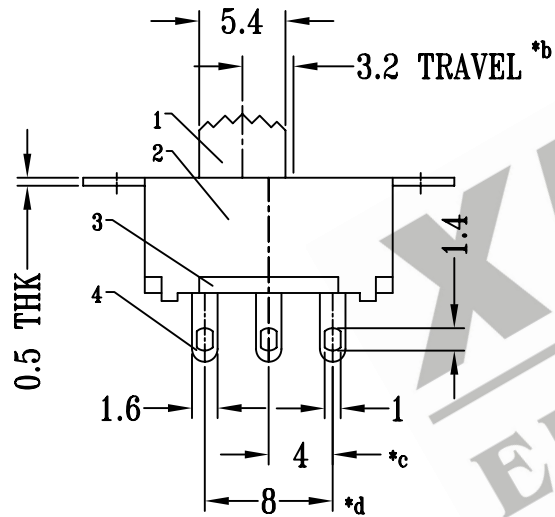
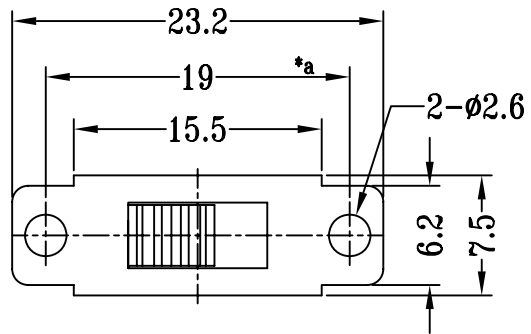


CAD FILE:



SCHEMATIC (NON-SHORTING)

P.C.B LAYOUT

注:带*表示关键尺寸(7个)

				TOLERANCE UNLESS SPECIFIED	SHENZHEN XIEJIA ELECTRONICS CO.,LTD.					
				WITHIN: 1.5±0.1mm	ISSUE	DATE	DESCRIPTIONS		APPD.	
				OVER : 1.5±0.2mm	TITLE : VERTICAL SLIDE SWITCH				UNIT : MM	DRWG NO.: XJ-DR-SS22F37-00
8					MODEL: SS-22F37				SCALE: 2 : 1	DWN. ZHOUYU 2005-3-15
7					ALL MATERIALS MUST BE COMPLIANT TO ROHS				CHK'D FANGYING 2005-3-15	
6	SPRING	STEEL WIRE	2	TEMPER					APPD. KANGXINAN 2005-3-15	
5	CONTACT CLIP	BRASS STRIP	2	Ag PLATED						
4	TERMINAL	BRASS STRIP	6	Ag PLATED OVER Ni PLATED						
3	BASE	PHENOLIC RESIN	1	BLACK						
2	FRAME	STEEL STRIP	1	BLACK						
1	KNOB	POM	1	BLACK						
NO.	PART NAME	MATERIAL	Q'TY	FINISHING						